



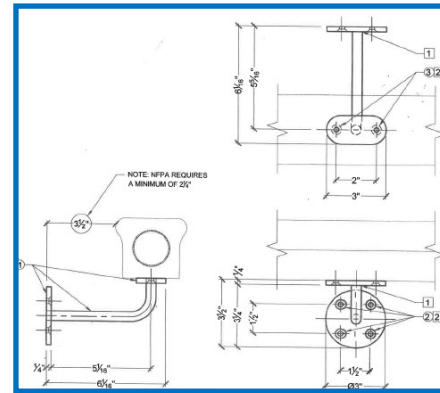
Custom Installation Hardware

Some custom items require **custom hardware** for ease of installation and Spectis Moulders is equipped to manufacture the custom hardware that is required. When submitting a quote request, be sure to indicate if you would like a quote for installation hardware as well.

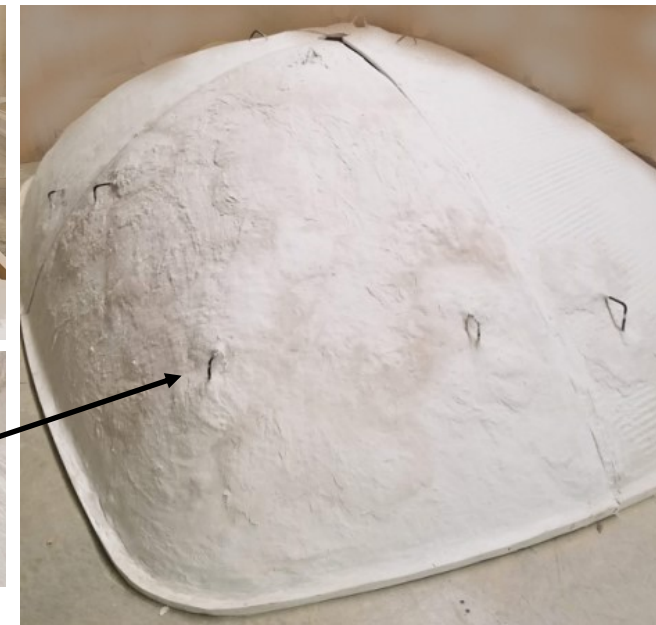
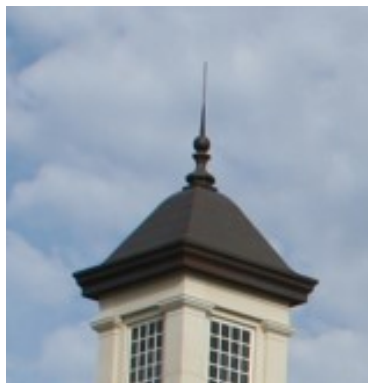
When requesting a quote for **angled and twisted radius stair rail hardware**, include the pitch of the staircase, or even an approximate angle. Before hardware fabrication begins we ask for the exact angle.

When custom structural items have an **architectural code compliance permit requirement**, Spectis Moulders can provide engineering services. Call or email us for a quote.

Experience and knowledge gained from past projects has truly made Spectis Moulders a custom manufacturer.



Below shows custom hardware designed for a large GFRG ceiling dome we made. These hook angles were engineered and manufactured in house for correct weight requirements.



Find us at www.spectis.com/support or call us at 1-800-685-9981.