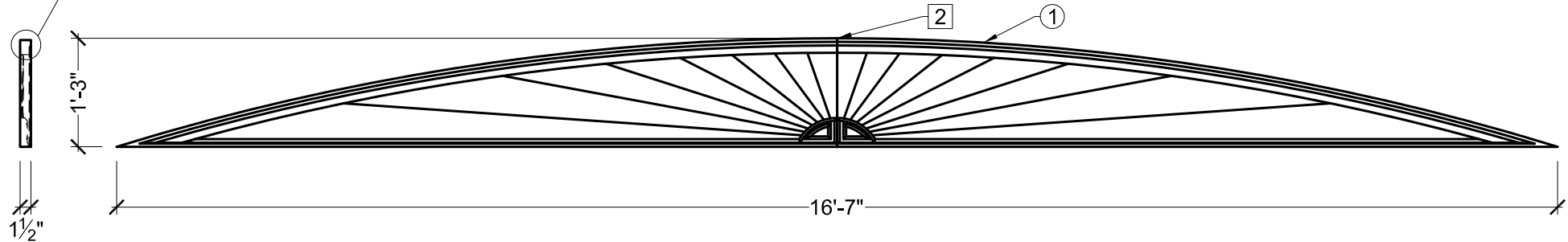
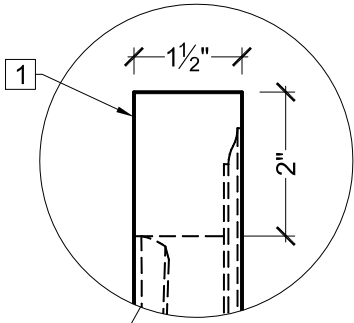


DETAIL VIEW

SCALE: $\frac{3}{8}" = 1"$



BILL OF MATERIAL

- ① HSS19915

OPERATIONS

- ① UNFINISHED BACK
- ② MADE IN TWO PIECES

GENERAL NOTES:

-ALL CUSTOM MANUFACTURED AND/OR MODIFIED STANDARD PRODUCTS ARE NON-RETURNABLE

-SPECTIS ADHESIVE MUST BE USED ON ALL BEDDING/BUTT JOINTS

-HAIRLINE CRACKING MAY OCCUR AT ALL JOINTS/SEAMS

Confirm For Correctness
& Fax Back Within 24 Hrs.
To (204) 388-6710
Your Signature: _____



SPECTIS MOULDERS INC.

P.O. BOX 970 PHONE: 204-388-6700 BOX 479
100 CEDAR DRIVE PHONE: 800-685-9981 PEMBINA,
NIVERVILLE, MANITOBA FAX: 204-388-6710 NORTH DAKOTA
CANADA R0A 1E0 58271-0479
 U.S.A.

GENERAL NOTES:
1. ALL PRODUCTS ARE DRAWN FOR PRESENTATION PURPOSE, ONLY IMAGE MAY VARY SLIGHTLY FROM ACTUAL PART
2. DRAWING INTENT IS TO INDICATE GENERAL ARRANGEMENT, DESIGN AND INTENT OF WORK IS PARTLY DIAGRAMMATIC.
3. SPECTIS RESERVES THE RIGHT TO CHANGE ANY PRODUCT DESIGN WITHOUT NOTICE.

© 2006, Spectis Moulders Inc. All rights reserved. This document may not be used or duplicate without prior consent.

| | | | |
|------------------------------------|-------------------|--------------------------------|------|
| CUSTOMER NAME: STANDARD PRODUCT | | PART: HSS19915 | |
| REFERENCE: SUNBURST | | SHEET: XX OF XX | |
| DRAWN BY: JK | DATE: XX/XX/XX | SCALE: $\frac{3}{64}" = 1"$ | REV: |