

Confirm For Correctness
 & Fax Back Within 24 Hrs.
 To (204) 388-6710
 Your Signature: _____

***SEE NOTES ON SHEET 04**



SPECTIS™
MOULDERS INC.
 Custom Polyurethane Products

BOX 479
 PEMBINA,
 NORTH DAKOTA
 58271-0479
 U.S.A.

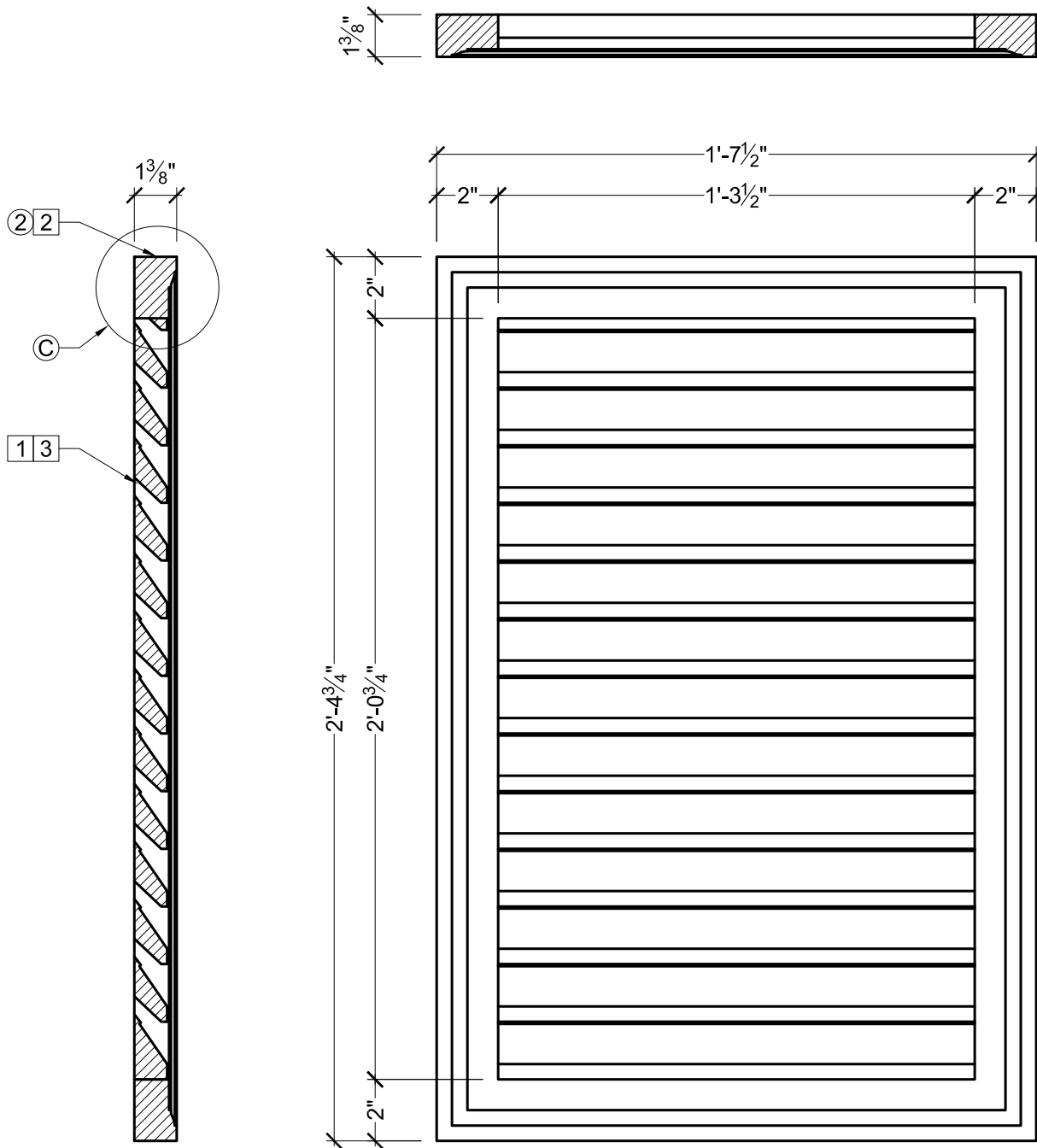
P.O. BOX 970
 100 CEDAR DRIVE
 NIVERVILLE, MANITOBA
 CANADA R0A 1E0

PHONE: 204-388-6700
 PHONE: 800-685-9981
 FAX: 204-388-6710

GENERAL NOTES:

1. ALL PRODUCTS ARE DRAWN FOR PRESENTATION PURPOSES ONLY. IMAGE MAY VARY SLIGHTLY FROM ACTUAL PART
2. DRAWING INTENT IS TO INDICATE GENERAL ARRANGEMENT. DESIGN AND INTENT OF WORK IS PARTLY DIAGRAMMATIC.
3. SPECTIS RESERVES THE RIGHT TO CHANGE ANY PRODUCT DESIGN WITHOUT NOTICE.

CUSTOMER NAME: STANDARD PRODUCT		PART: LOAD2231	
REFERENCE: LOUVER ACCESS DOOR		SHEET: 01 OF 04	
DRAWN BY: JB	DATE: 06/04/14	SCALE: 3/16" = 1"	REV:



Confirm For Correctness
 & Fax Back Within 24 Hrs.
 To (204) 388-6710
 Your Signature: _____

***SEE NOTES ON SHEET 04**



SPECTIS™
MOULDERS INC.
 Custom Polyurethane Products

PEMBINA,
 NORTH DAKOTA
 58271-0479
 U.S.A.

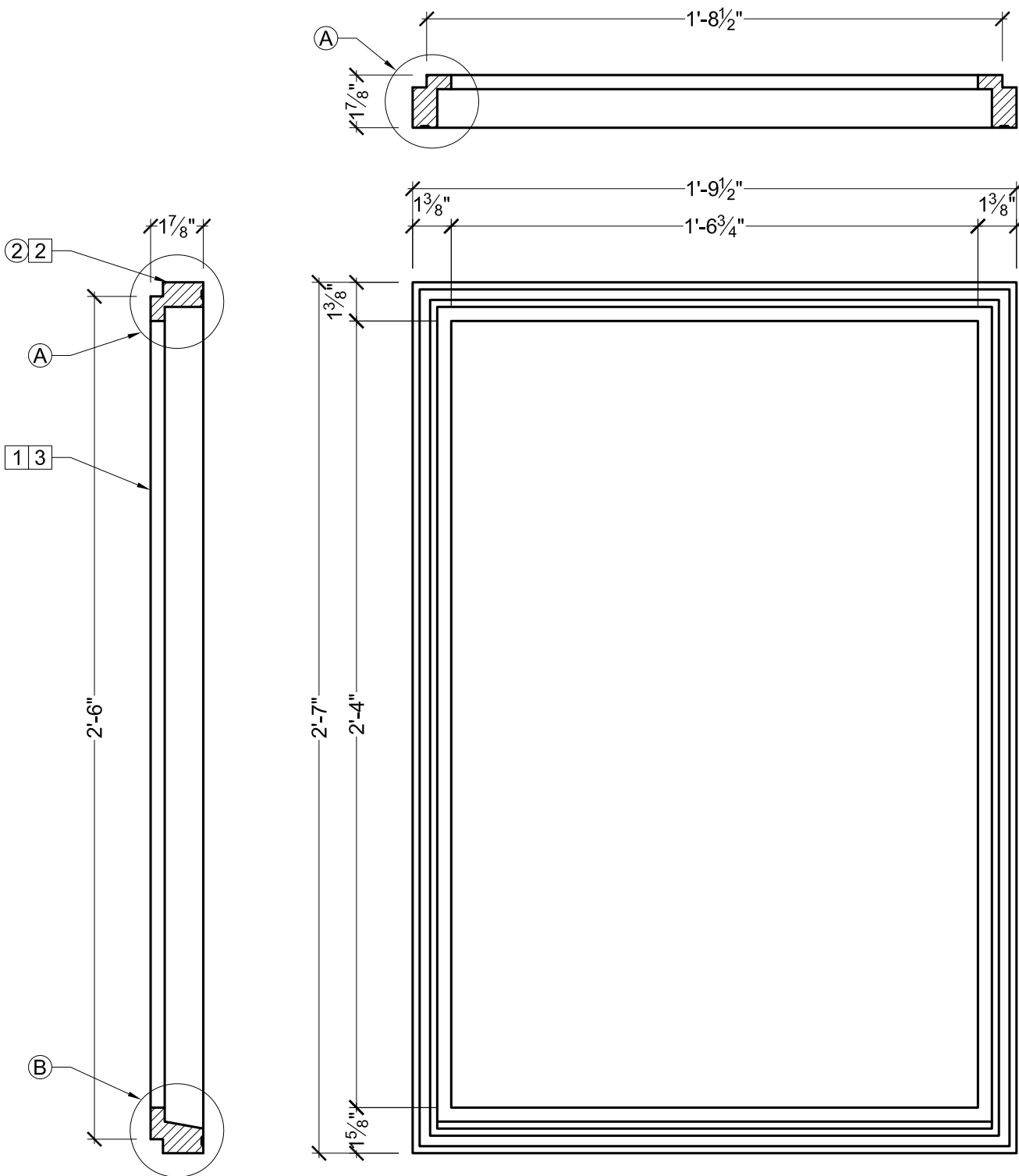
100 CEDAR DRIVE
 NIVERVILLE, MANITOBA
 CANADA R0A 1E0

PHONE: 800-685-9981
 FAX: 204-388-6710

GENERAL NOTES:

1. ALL PRODUCTS ARE DRAWN FOR PRESENTATION PURPOSES ONLY. IMAGE MAY VARY SLIGHTLY FROM ACTUAL PART
2. DRAWING INTENT IS TO INDICATE GENERAL ARRANGEMENT. DESIGN AND INTENT OF WORK IS PARTLY DIAGRAMMATIC.
3. SPECTIS RESERVES THE RIGHT TO CHANGE ANY PRODUCT DESIGN WITHOUT NOTICE.

CUSTOMER NAME: STANDARD PRODUCT		PART: LOAD2231	
REFERENCE: LOUVER ACCESS DOOR		SHEET: 02 OF 04	
DRAWN BY: JB	DATE: 06/04/14	SCALE: 3/16" = 1"	REV:



Confirm For Correctness
 & Fax Back Within 24 Hrs.
 To (204) 388-6710
 Your Signature: _____

***SEE NOTES ON SHEET 04**



SPECTIS™
MOULDERS INC.
 Custom Polyurethane Products

PEMBINA,
 NORTH DAKOTA
 58271-0479
 U.S.A.

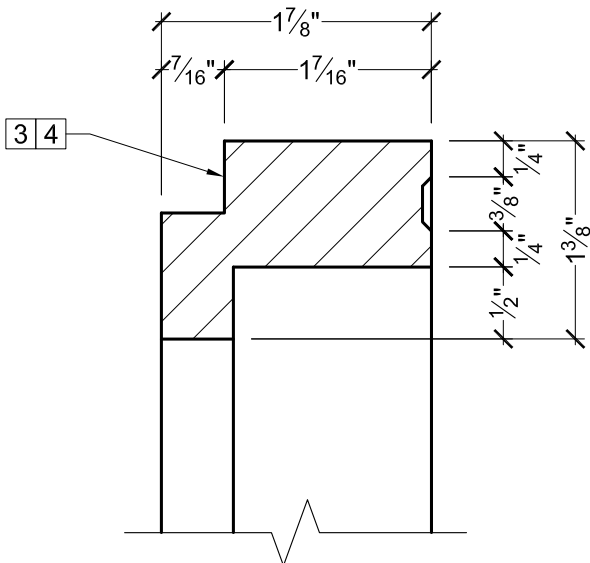
100 CEDAR DRIVE
 NIVERVILLE, MANITOBA
 CANADA R0A 1E0

PHONE: 800-685-9981
 FAX: 204-388-6710

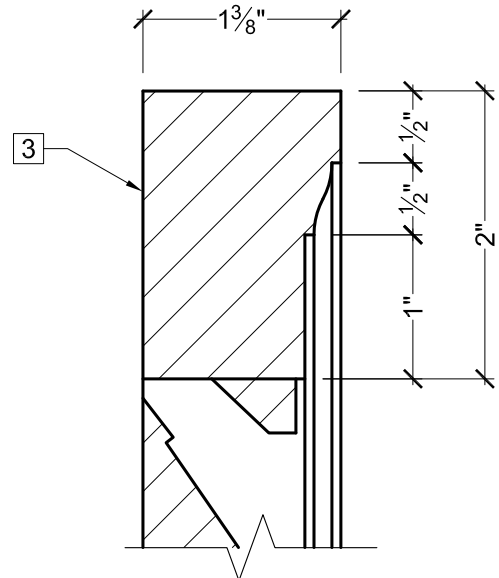
GENERAL NOTES:

1. ALL PRODUCTS ARE DRAWN FOR PRESENTATION PURPOSES ONLY. IMAGE MAY VARY SLIGHTLY FROM ACTUAL PART
2. DRAWING INTENT IS TO INDICATE GENERAL ARRANGEMENT. DESIGN AND INTENT OF WORK IS PARTLY DIAGRAMMATIC.
3. SPECTIS RESERVES THE RIGHT TO CHANGE ANY PRODUCT DESIGN WITHOUT NOTICE.

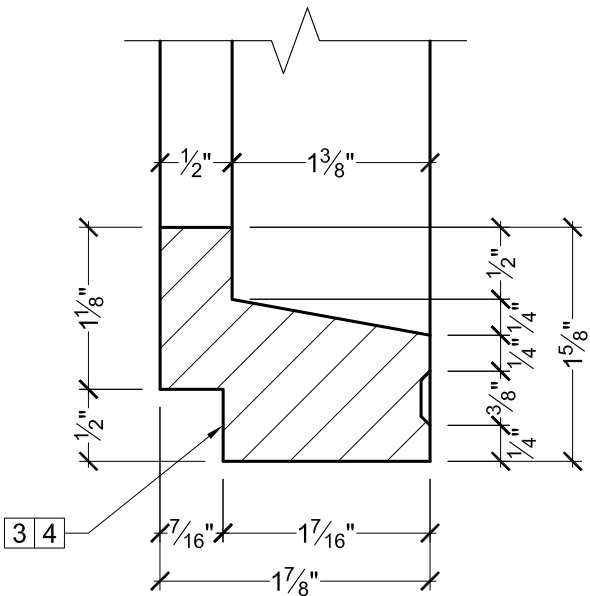
CUSTOMER NAME: STANDARD PRODUCT		PART: LOAD2231	
REFERENCE: LOUVER ACCESS DOOR		SHEET: 03 OF 04	
DRAWN BY: JB	DATE: 06/04/14	SCALE: 3/16" = 1"	REV:



A FRAME PROFILE



C LOUVER PROFILE



B FRAME BOTTOM SILL PROFILE

Confirm For Correctness
& Fax Back Within 24 Hrs.
To (204) 388-6710
Your Signature: _____

BILL OF MATERIAL

- ① LOAD2231 - LOUVER ACCESS DOOR RIGHT SWING
- ② LORT MADE OF POLYURETHANE
- ③ FRAME MADE OF POLYURETHANE
- ④ LATCH AND HINGE HARDWARE

OPERATIONS

- ① SCREEN APPLIED TO BACK OF LOUVER
- ② WHITE PAINT FINISH
- ③ BACK UNFINISHED
- ④ APPLIED RABBET

GENERAL NOTES:

-ALL CUSTOM MANUFACTURED AND/OR MODIFIED STANDARD PRODUCTS ARE NON-RETURNABLE

-PL PREMIUM ADHESIVE MUST BE USED ON ALL BEDDING/BUTT JOINTS



SPECTIS™
MOULDERS INC.
Custom Polyurethane Products

GENERAL NOTES:

- 1. ALL PRODUCTS ARE DRAWN FOR PRESENTATION PURPOSES ONLY. IMAGE MAY VARY SLIGHTLY FROM ACTUAL PART
- 2. DRAWING INTENT IS TO INDICATE GENERAL ARRANGEMENT. DESIGN AND INTENT OF WORK IS PARTLY DIAGRAMMATIC.
- 3. SPECTIS RESERVES THE RIGHT TO CHANGE ANY PRODUCT DESIGN WITHOUT NOTICE.

PEMBINA, NORTH DAKOTA 58271-0479 U.S.A.
100 CEDAR DRIVE NIVERVILLE, MANITOBA CANADA R0A 1E0
PHONE: 800-685-9981 FAX: 204-388-6710

© 2013, Spectis Moulders Inc. All rights reserved. This document may not be used or duplicate without prior consent.

CUSTOMER NAME: STANDARD PRODUCT		PART: LOAD2231	
REFERENCE: LOUVER ACCESS DOOR		SHEET: 04 OF 04	
DRAWN BY: JB	DATE: 06/04/14	SCALE: 3/4 = 1"	REV: