

**A** SECTION  
SCALE:  $\frac{3}{8} = 1"$

**BILL OF MATERIAL**

- ① PP3204-A
- ② PP3204-B
- ③ MD1212 - BASE TRIM
- ④ GALVANISED STEEL PIPE
- ⑤ CB1100-208

**OPERATIONS**

- ① BASE TRIM SHIP LOOSE APPLIED ON SITE TO COVER INSTAL HARDWARE

**GENERAL NOTES:**

-PL PREMIUM ADHESIVE MUST BE USED ON ALL BEDDING/BUTT JOINTS

**SPECTIS MOULDERS INC.**

P.O. BOX 970  
100 CEDAR DRIVE  
NIVERVILLE, MANITOBA  
CANADA R0A 1E0

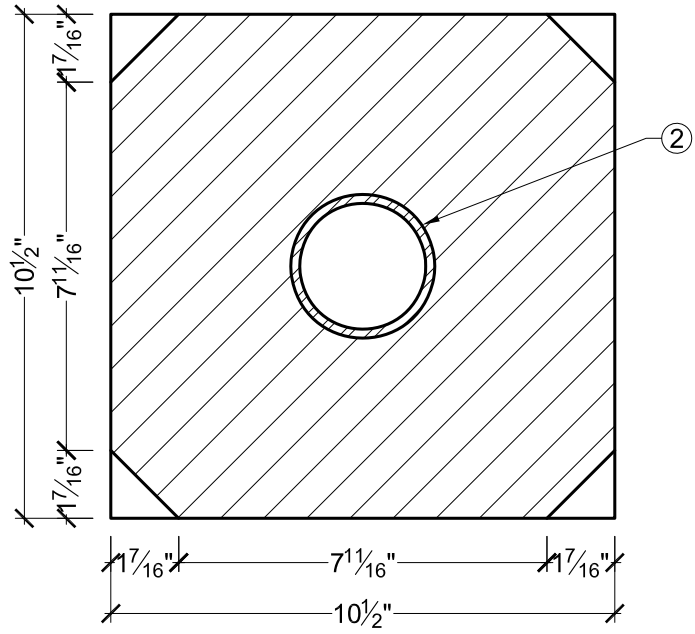
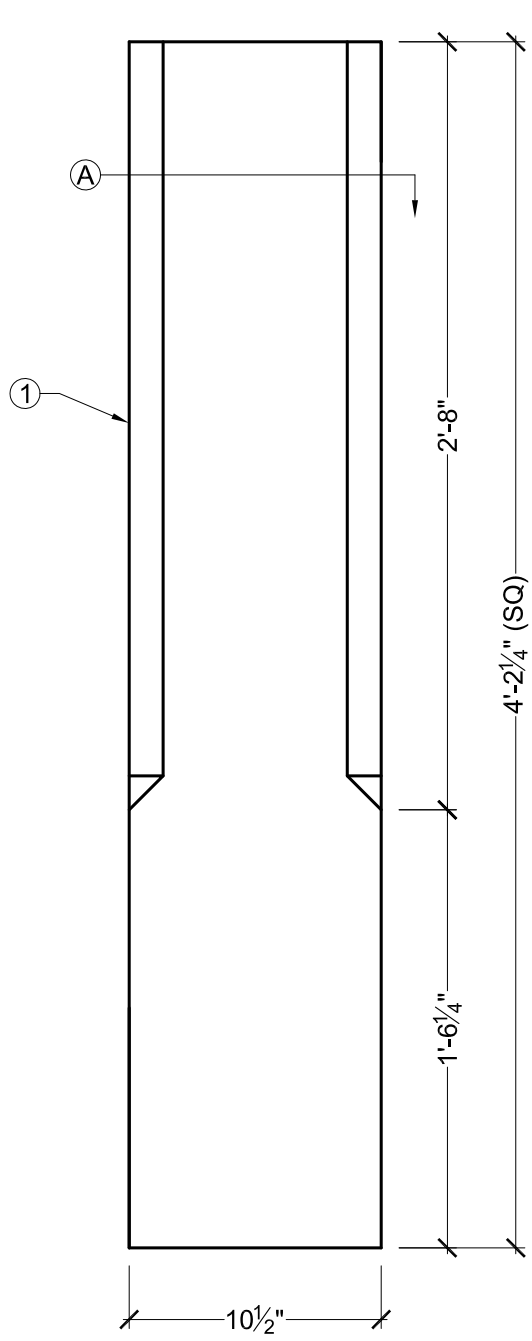
PHONE: 204-388-6700  
PHONE: 800-685-9981  
FAX: 204-388-6710

BOX 479  
PEMBINA,  
NORTH DAKOTA  
58271-0479  
U.S.A

GENERAL NOTES:  
1. ALL PRODUCTS ARE DRAWN FOR PRESENTATION PURPOSES, ONLY IMAGE MAY VARY SLIGHTLY FROM ACTURAL PART  
2. DRAWING INTENT IS TO INDICATE GENERAL ARRANGEMENT, DESIGN AND INTENT OF WORK IS PARTLY DIAGRAMATIC.  
3. SPECTIS RESERVES THE RIGHT TO CHANGE ANY PRODUCT DESIGN WITHOUT NOTICE.

© 2006, Spectis Moulders Inc. All rights reserved. This document may not be used or duplicate without prior consent.

CUSTOMER NAME: STANDARD PRODUCT		PART: PP3204	
REFERENCE: PORCH POST		SHEET: 01 OF 01	
DRAWN BY: JB	DATE: 09/19/07	SCALE: $\frac{3}{64} = 1"$	REV:



**A** SECTION VIEW  
SCALE: 1/4" = 1"

**BILL OF MATERIAL**

- ① PP3204-A - BOTTOM PIECE OF PP3204 - MADE USING POLYURETHANE AND/OR PVC AT SPECTIS DISCRETION
- ② GALVANIZED STEEL PIPE

**GENERAL NOTES:**

-PL PREMIUM ADHESIVE MUST BE USED ON ALL BEDDING/BUTT JOINTS

**SPECTIS MOULDERS INC.**  
 P.O. BOX 970  
 100 CEDAR DRIVE  
 NIVERVILLE, MANITOBA  
 CANADA R0A 1E0

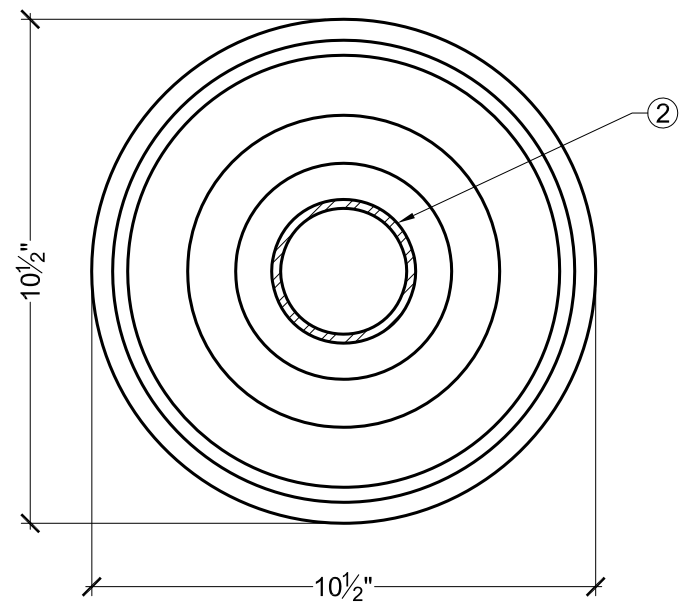
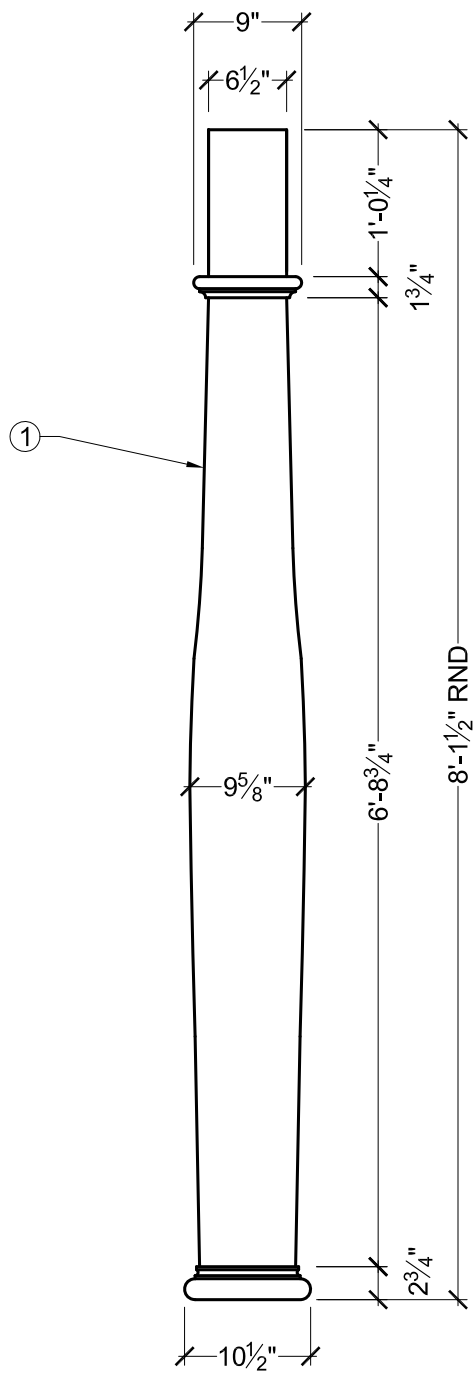
PHONE: 204-388-6700  
 PHONE: 800-685-9981  
 FAX: 204-388-6710

BOX 479  
 PEMBINA,  
 NORTH DAKOTA  
 58271-0479  
 U.S.A

GENERAL NOTES:  
 1. ALL PRODUCTS ARE DRAWN FOR PRESENTATION PURPOSES, ONLY IMAGE MAY VARY SLIGHTLY FROM ACTUAL PART  
 2. DRAWING INTENT IS TO INDICATE GENERAL ARRANGEMENT, DESIGN AND INTENT OF WORK IS PARTLY DIAGRAMATIC.  
 3. SPECTIS RESERVES THE RIGHT TO CHANGE ANY PRODUCT DESIGN WITHOUT NOTICE.

© 2006, Spectis Moulders Inc. All rights reserved. This document may not be used or duplicate without prior consent.

CUSTOMER NAME: STANDARD PRODUCT		PART: PP3204-A	
REFERENCE: PORCH POST		SHEET: 01 OF 01	
DRAWN BY: JB	DATE: 09/19/07	SCALE: 1/8" = 1"	REV:



**A** SECTION VIEW  
SCALE: 1/4" = 1"

**BILL OF MATERIAL**

- ① PP3204-B - TOP PIECE OF PP3204 - MADE USING POLYURETHANE AND/OR PVC AT SPECTIS DISCRETION
- ② GALVANIZED STEEL PIPE

**GENERAL NOTES:**

-PL PREMIUM ADHESIVE MUST BE USED ON ALL BEDDING/BUTT JOINTS

**SPECTIS MOULDERS INC.**  
 P.O. BOX 970  
 100 CEDAR DRIVE  
 NIVERVILLE, MANITOBA  
 CANADA R0A 1E0  
 PHONE: 204-388-6700  
 PHONE: 800-685-9981  
 FAX: 204-388-6710  
 BOX 479  
 PEMBINA,  
 NORTH DAKOTA  
 58271-0479  
 U.S.A  
 GENERAL NOTES:  
 1. ALL PRODUCTS ARE DRAWN FOR PRESENTATION PURPOSES, ONLY IMAGE MAY VARY SLIGHTLY FROM ACTUAL PART  
 2. DRAWING INTENT IS TO INDICATE GENERAL ARRANGEMENT, DESIGN AND INTENT OF WORK IS PARTLY DIAGRAMATIC.  
 3. SPECTIS RESERVES THE RIGHT TO CHANGE ANY PRODUCT DESIGN WITHOUT NOTICE.

CUSTOMER NAME: STANDARD PRODUCT		PART: PP3204-B	
REFERENCE: PORCH POST		SHEET: 01 OF 01	
DRAWN BY: JB	DATE: 09/19/07	SCALE: 1/16" = 1"	REV:

© 2006, Spectis Moulders Inc. All rights reserved. This document may not be used or duplicate without prior consent.