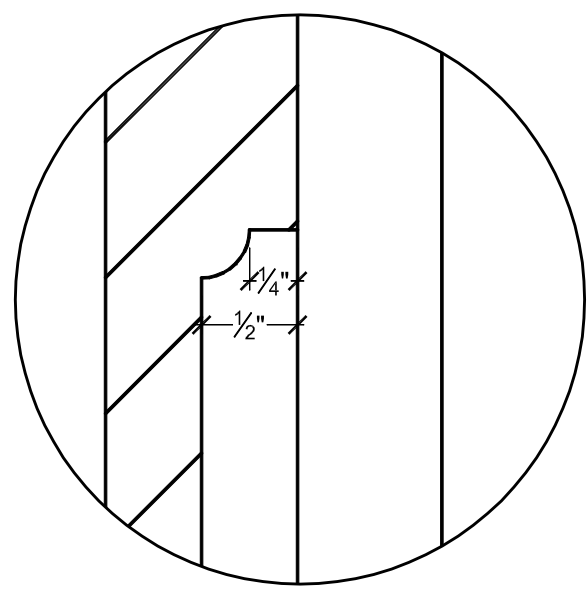
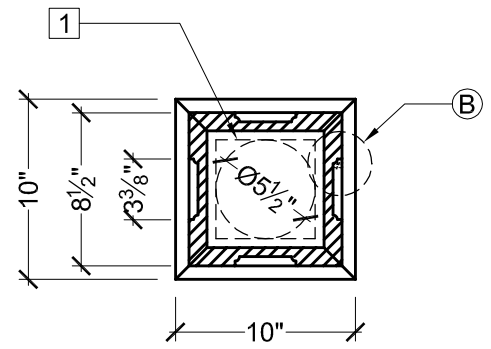


FRONT VIEW



(B) DETAIL A
SCALE: 1" = 1"



(A) SECTION VIEW

OPERATIONS

- 1** MAXIMUM ROUND / SQUARE INTERNAL MEMBER SIZE

GENERAL NOTES:

- SPECTIS ADHESIVE MUST BE USED ON ALL BEDDING/BUTT JOINTS
- MOULDED IN 4 PIECES AND SHIPPED AS 1

SPECTIS MOULDERS INC.
 P.O. BOX 970
 100 CEDAR DRIVE
 NIVERVILLE, MANITOBA
 CANADA R0A 1E0

PHONE: 204-388-6700
 PHONE: 800-685-9981
 FAX: 204-388-6710

BOX 479
 PEMBINA,
 NORTH DAKOTA
 58271-0479
 U.S.A

GENERAL NOTES:
 1. ALL PRODUCTS ARE DRAWN FOR PRESENTATION PURPOSES, ONLY IMAGE MAY VARY SLIGHTLY FROM ACTURAL PART
 2. DRAWING INTENT IS TO INDICATE GENERAL ARRANGEMENT, DESIGN AND INTENT OF WORK IS PARTLY DIAGRAMATIC.
 3. SPECTIS RESERVES THE RIGHT TO CHANGE ANY PRODUCT DESIGN WITHOUT NOTICE.

© 2006, Spectis Moulders Inc. All rights reserved. This document may not be used or duplicate without prior consent.

| | | | |
|------------------------------------|-------------------|---------------------|------|
| CUSTOMER NAME: STANDARD PRODUCT | | PART: RBC-10108 | |
| REFERENCE: COLUMN | | SHEET: 01 OF 01 | |
| DRAWN BY: JRB/JJK | DATE: 07/04/07 | SCALE: 3/32 = 1" | REV: |