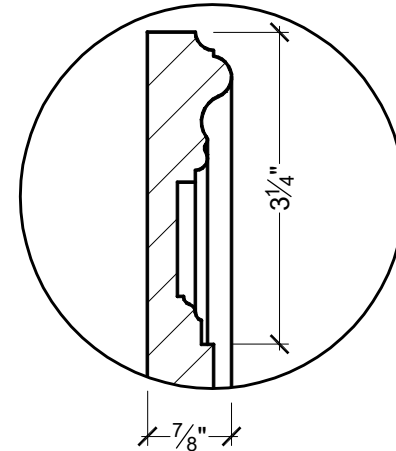
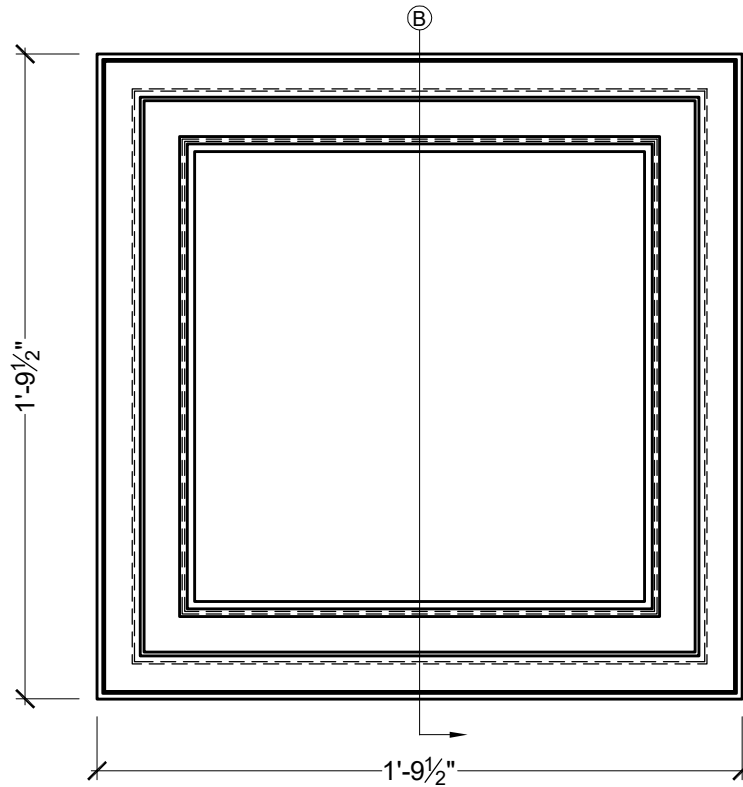


**A** SECTION VIEW



**B** DETAIL  
SCALE: 1/2" = 1"

**BILL OF MATERIAL**

- ① RP3904 - RECESSED PANEL MADE OF POLYURETHANE.

**OPERATIONS**

- ① BACK UNFINISHED.

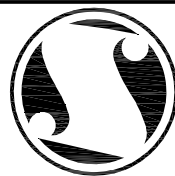
**GENERAL NOTES:**

-ALL CUSTOM MANUFACTURED AND/OR MODIFIED STANDARD PRODUCTS ARE NON-RETURNABLE.

-SPECTIS ADHESIVE MUST BE USED ON ALL BEDDING/BUTT JOINTS.

Confirm For Correctness  
& Fax Back Within 24 Hrs.  
To (204) 388-6710

Your Signature: \_\_\_\_\_



**SPECTIS™**  
**MOULDERS INC.**  
Custom Polyurethane Products

BOX 479  
PEMBINA,  
NORTH DAKOTA  
58271-0479  
U.S.A.

P.O. BOX 970  
100 CEDAR DRIVE  
NIVERVILLE, MANITOBA  
CANADA R0A 1E0

PHONE: 204-388-6700  
PHONE: 800-685-9981  
FAX: 204-388-6710

GENERAL NOTES:

1. ALL PRODUCTS ARE DRAWN FOR PRESENTATION PURPOSES ONLY. IMAGE MAY VARY SLIGHTLY FROM ACTUAL PART
2. DRAWING INTENT IS TO INDICATE GENERAL ARRANGEMENT, DESIGN AND INTENT OF WORK IS PARTLY DIAGRAMMATIC.
3. SPECTIS RESERVES THE RIGHT TO CHANGE ANY PRODUCT DESIGN WITHOUT NOTICE.

CUSTOMER NAME: STANDARD PRODUCT		PART: RP3904	
REFERENCE: RECESSED PANELS		SHEET: 01 OF 01	
DRAWN BY: JB/JK	DATE: 08/14/17	SCALE: 5/32" = 1"	REV: